



## Spare part list

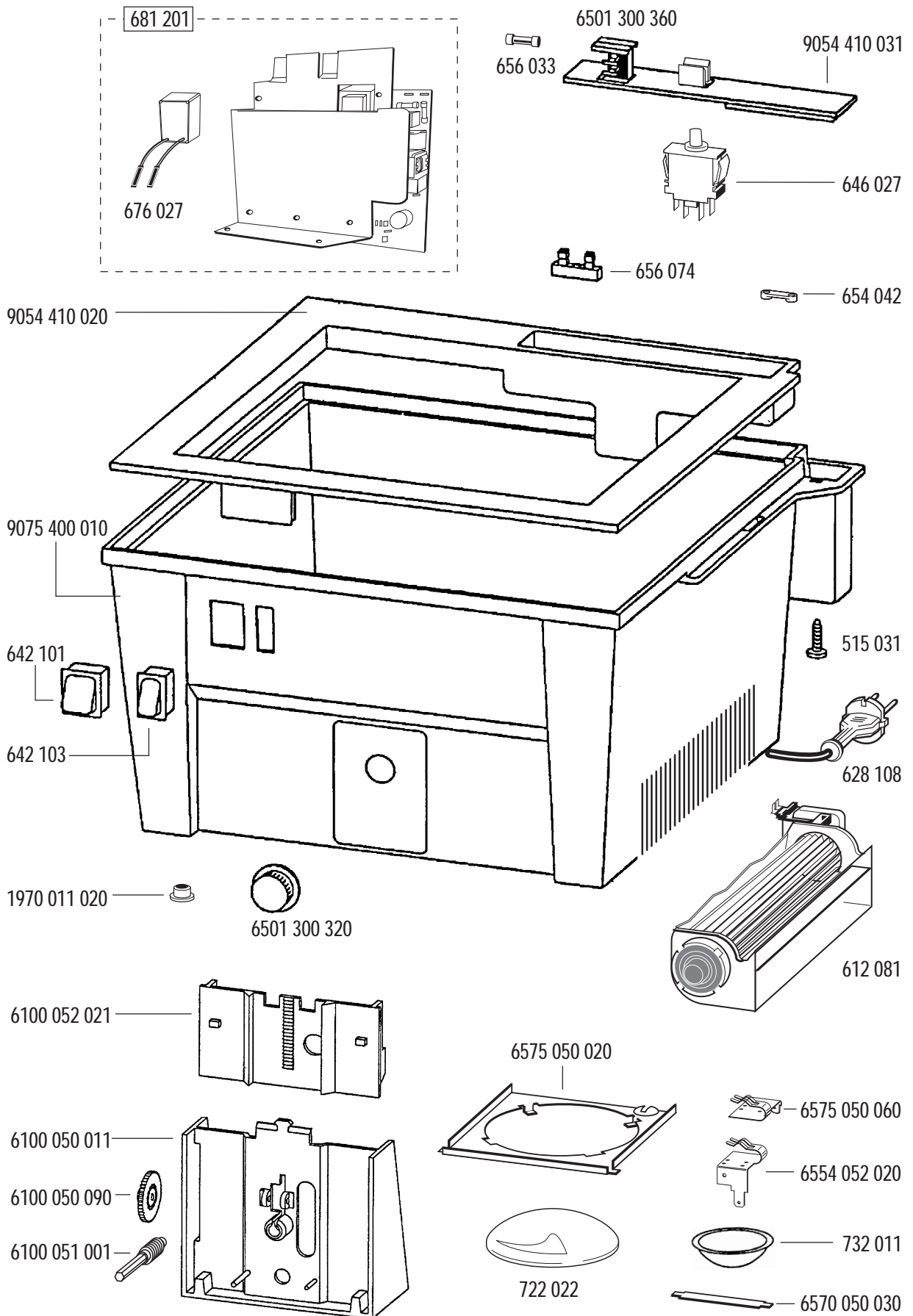
---

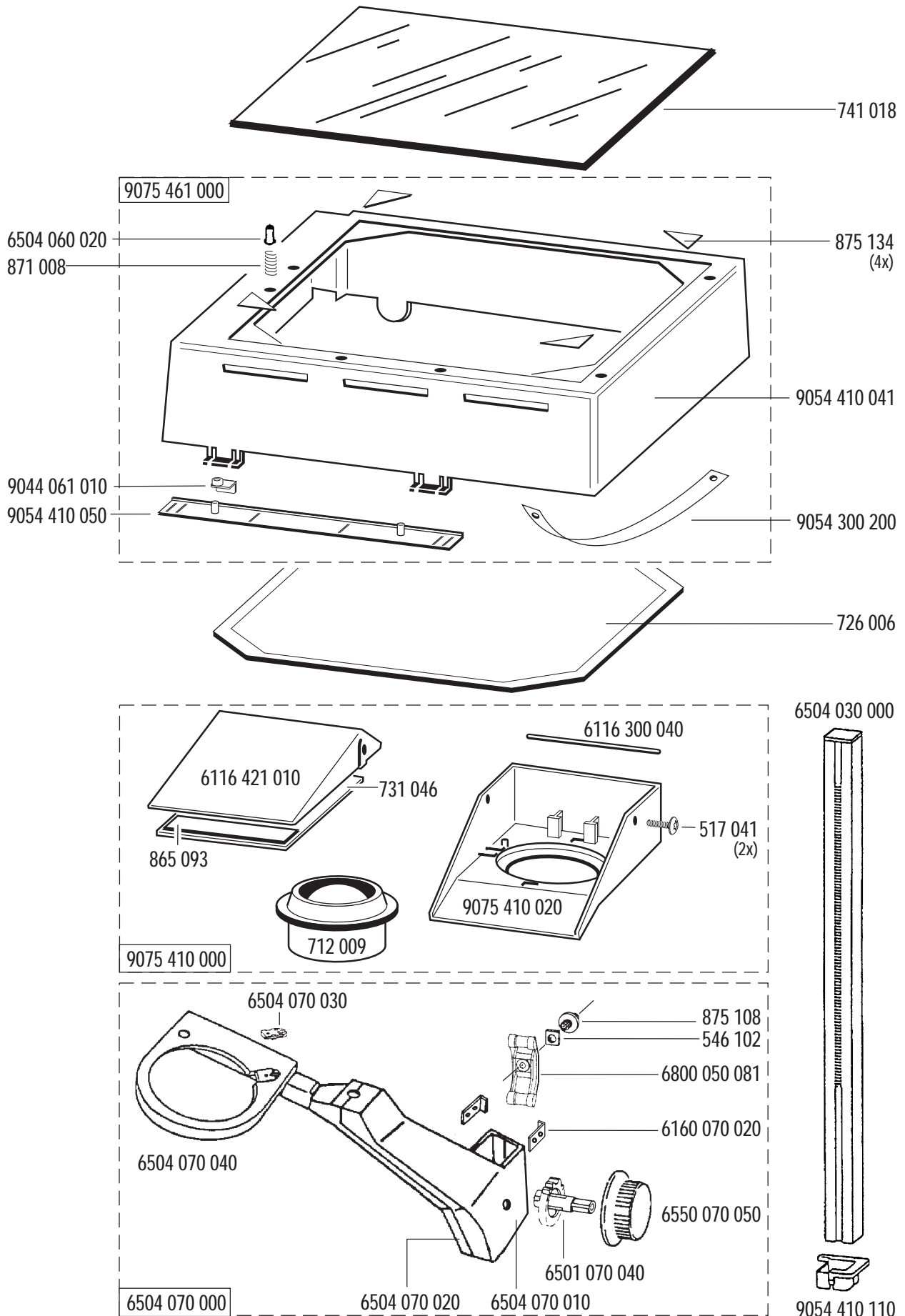
### Overhead projector EcoLine 400 M – no. 9075-6

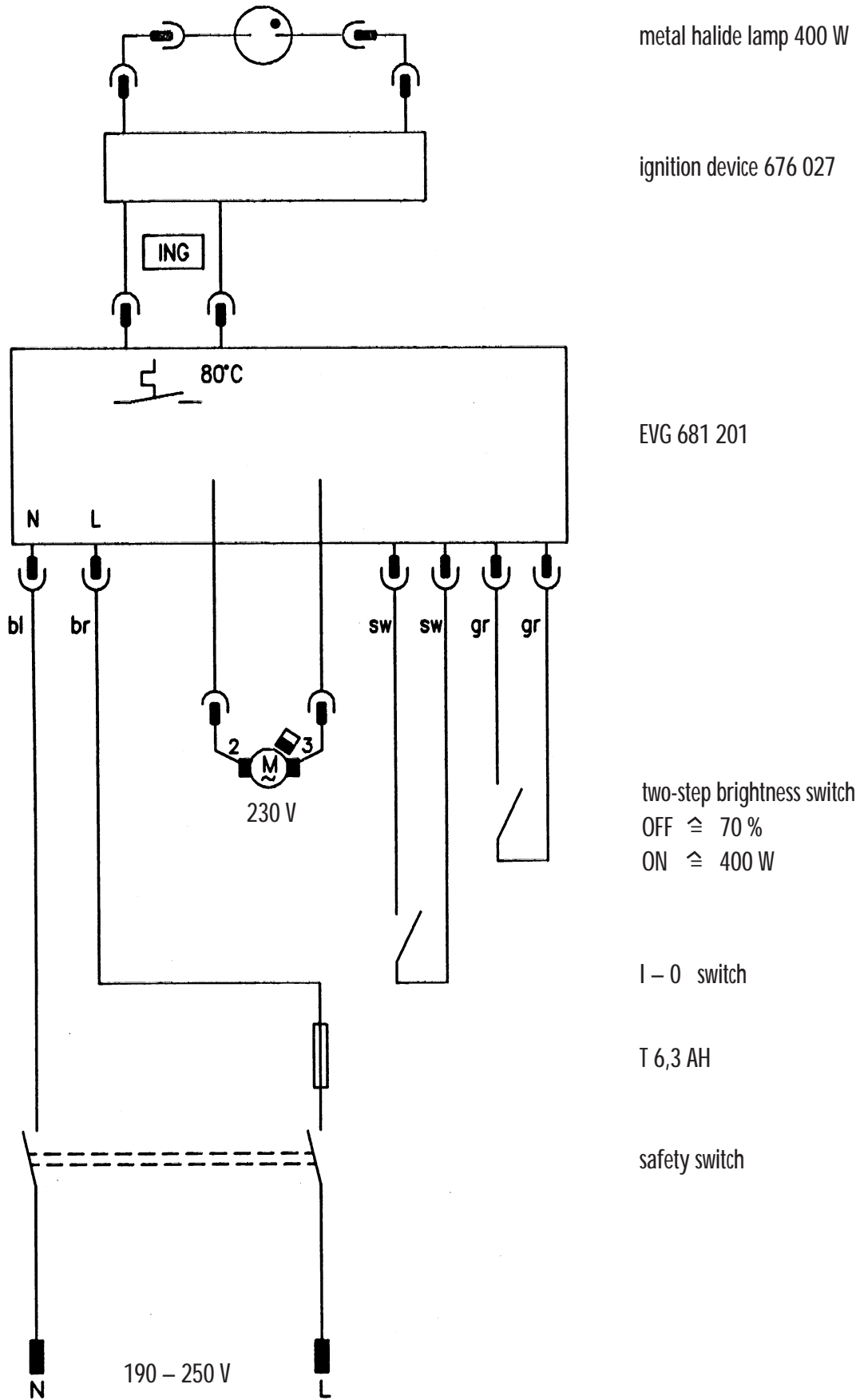
Effective of 1.10.1999

#### Contents

Base	1.0
Top part / Projection unit	2.0
Circuit diagram	3.0







metal halide lamp 400 W

ignition device 676 027

EVG 681 201

two-step brightness switch  
 OFF  $\cong$  70 %  
 ON  $\cong$  400 W

I - O switch

T 6,3 AH

safety switch

9075 300 100